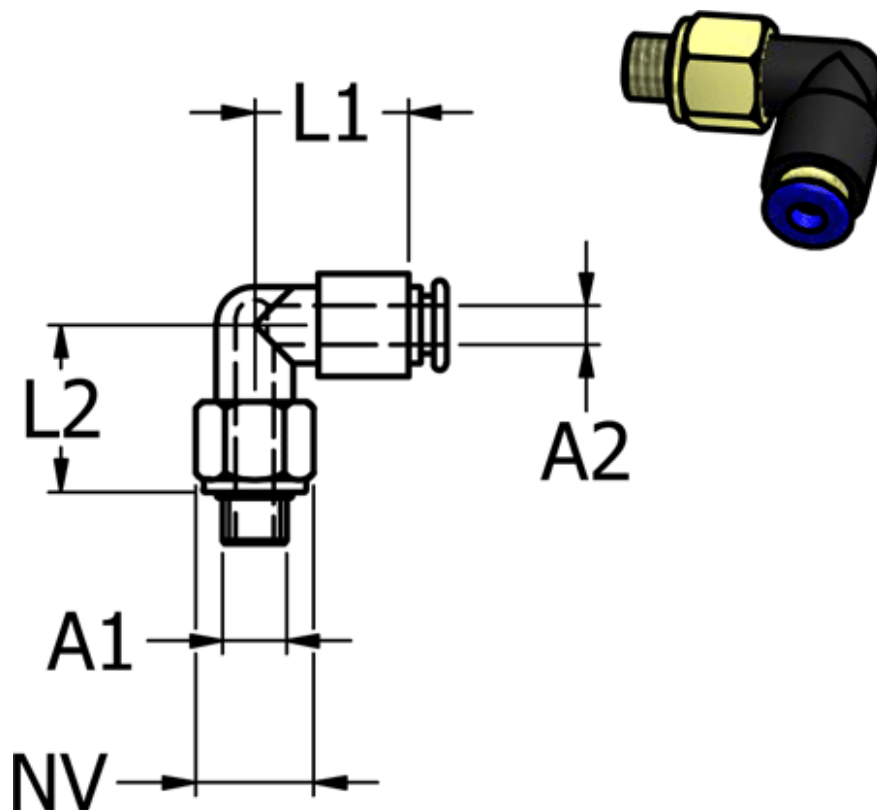


Article number: 586PLG184

Description: Mini Push-in PLG184, angle, G 1/8" hose Ø4

Measures



Ext. hose diameter A2 = 4 mm

L1 = 14

L2 = 16.5

NV = 14

Thread A! = G 1/8"